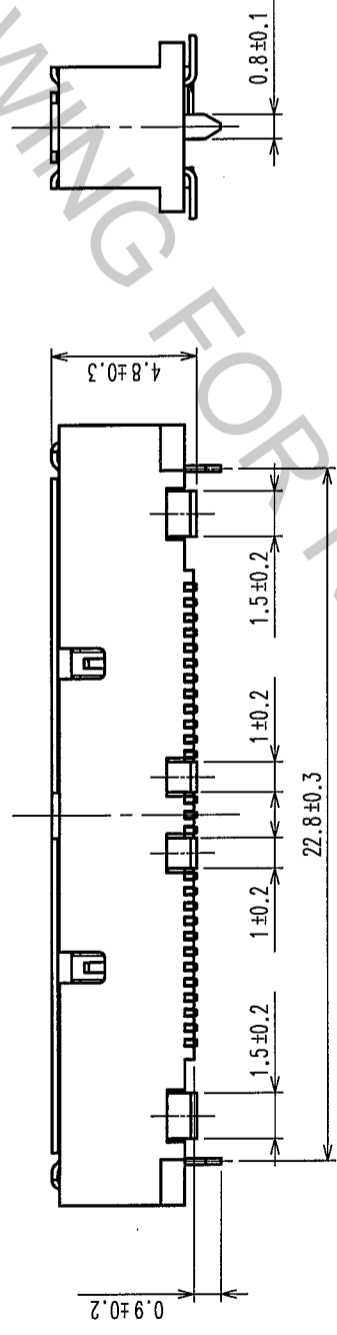
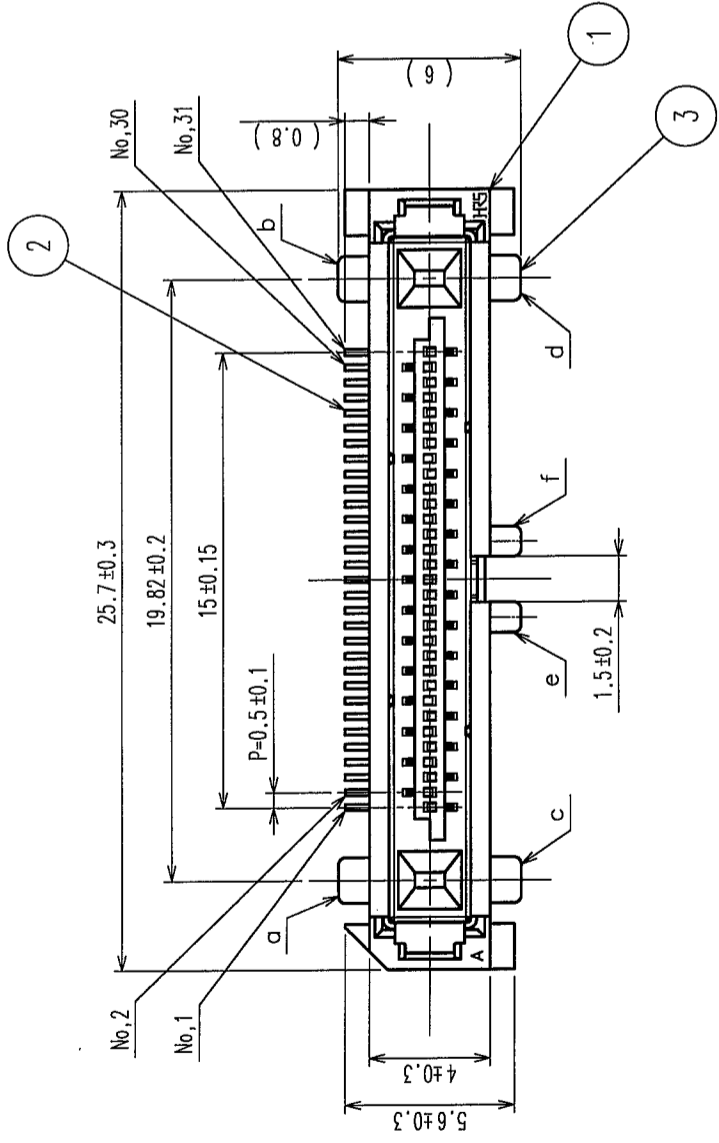
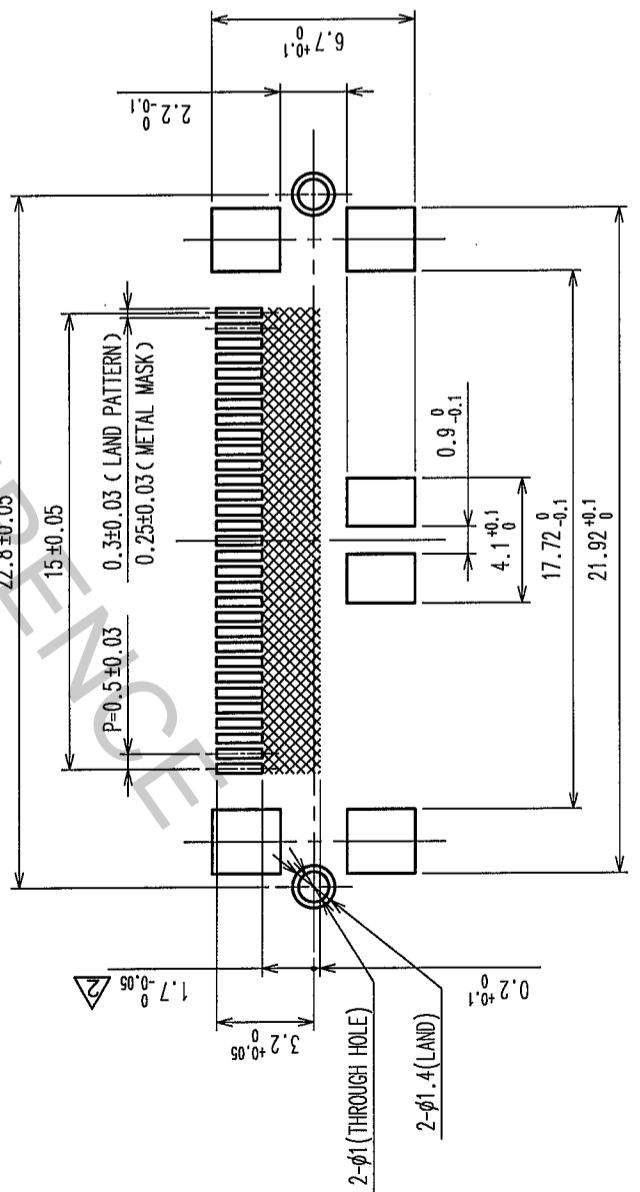


COUNT	DESCRIPTION OF REVISIONS	BY	CHKD	DATE	COUNT	DESCRIPTION OF REVISIONS	BY	CHKD	DATE
1	RE-F-10583	K.S.H.Y		05.07.06					



RECOMMENDED LAND PATTERN DIMENSION OF P.C.B

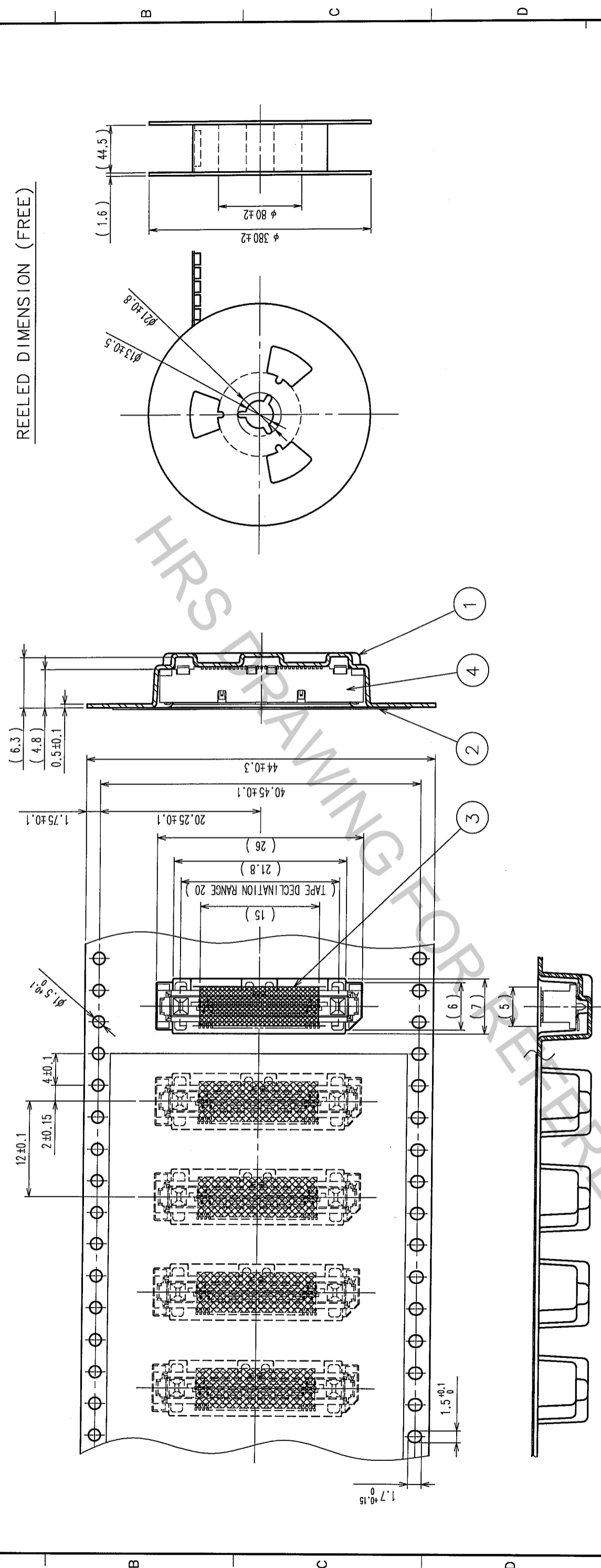


NOTE 1 LEAD-COPLANARITY OF THIS PRODUCT TO BE 0.1MAX FOR SMT LEAD AND
 2 GROUND PLATE LEAD: c, d. 0.15MAX FOR GROUND PLATE LEAD: a, b, e, f.
 3 AREA OF INNER SMT LAND REQUIRES PATTERN PROHIBITION OR
 RESIST TREATMENT TO PREVENT THE PATTERN TOUCHING TO THE CONTACTS.
 4 THE DIMENSIONS IN PARENTHESSES ARE FOR REFERENCE.
 5 PACKAGING FOR THIS PRODUCT APPLIES EMBOSSED CARRIER
 6 TAPE PACKAGING. SEE SHEET 2/2 FOR DETAILS.

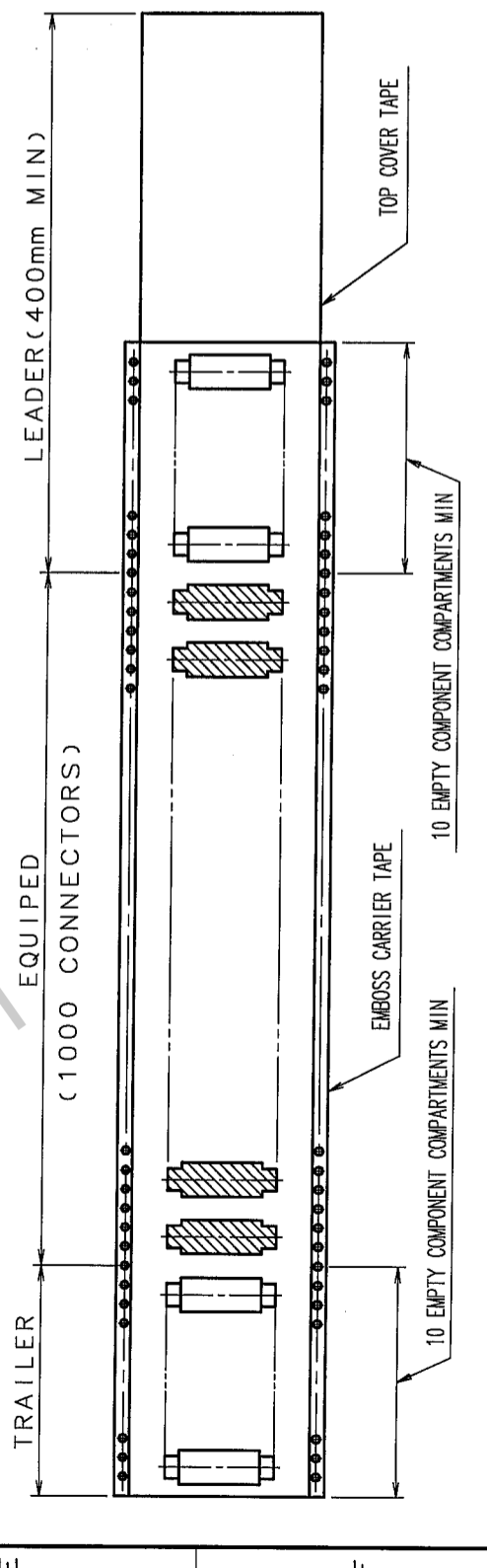
3 NICKEL SILVER		2 PHOSPHOR BRONZE		CONTACT AREA: GOLD 0.1μm min	
1 PA		BLACK UL94V-0		LEAD AREA: TIN-PLATING 1μm min	
NO. MATERIAL		FINISH, REMARKS		UNDER PLATING: NICKEL 0.5μm min	
CODE NO. (OLD) CL			FINISH, REMARKS		
DRAWN K. SHIBUYA 05.01.28		DESIGNED K. SHIBUYA 05.01.28		APPROVED H. OKAWA 05.01.31	
SCALE 4 : 1		PART NO. FX15-31S-0.5SV		RELEASED	
UNITS MM		DRAWING NO. EDC3-155329		CODE NO. CL575-2201-7	

COUNT	DESCRIPTION OF REVISIONS	BY	CHKD	DATE	COUNT	DESCRIPTION OF REVISIONS	BY	CHKD	DATE

THE DIRECTION OF PULLING OUT



NOTE 1 1 REEL:1000 CONNECTORS.



NO.	MATERIAL	FINISH, REMARKS	NO.	MATERIAL	FINISH, REMARKS
2	POLYESTER	TOP COVER TAPE	4	CONNECTOR	CONNECTOR
1	PS	EMBOSS CARRIER TAPE	3	POLYIMIDE	TAPE FOR VACUUM PICKUP

CODE NO. (OLD)	CL	DRAWN	DESIGNED	CHECKED	APPROVED	RELEASED
		K.SHIBUYA	K.SHIBUYA	H.YAMAGUCHI	H.OKAWA	
		05.01.28	05.01.28	05.01.31	05.01.31	

DRAWING NO.	PART NO.
EDC3-155329	FX15-31S-0.5SV

SCALE	UNITS	CODE NO.
2 : 1	mm	CL575-2201-7